

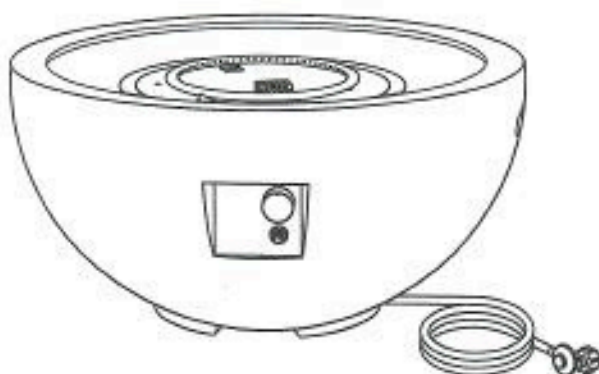
# Propane Gas Fire Table Use and Care Instructions

79731127

FP21548

Phoenix Fire Bowl--White

**!** **WARNING:** This product can expose you to chemicals including (Lead and Lead Compounds, Lead Acetate, Lead, Phosphate, Lead Subacetate, Nickel, Antimony, Chromium, and Cobalt), which are known to the state of California to cause cancer and birth defects or other reproductive harm. For more information go to [www.P65Warnings.ca.gov](http://www.P65Warnings.ca.gov).



**ATTENTION: READ INSTRUCTIONS CAREFULLY BEFORE ASSEMBLY OR USE**

**INSTALLER: LEAVE THIS MANUAL WITH THE APPLIANCE.**

**CONSUMER: RETAIN THIS MANUAL FOR FUTURE REFERENCE.**

**If you have any problems with this product. DO NOT RETURN IT TO THE STORE.**

**PLEASE CONTACT OUR CUSTOMER SERVICE CENTER.**

**Monday – Friday 7:00AM – 4:00PM Pacific at 1.888.264.1017**

**Email: [customerservice@americanfireglass.com](mailto:customerservice@americanfireglass.com)**

Design certified under ANSI Z21.97-2017/CSA2.41-2017 Standard for Outdoor Decorative Gas Appliance



Manufactured and distributed by American Fire Glass® INC

570 Third Street, Lake Elsinore, CA 92530

1-833-334-3473

[duraflamefireglass.com](http://duraflamefireglass.com)

DFG-INST-RTG2\_REVA\_0422



## **WARNING:**

**CHOKING HAZARD. SMALL PARTS.**

**LAVA STONE IS NOT INTENDED FOR USE BY CHILDREN.**

**THIS ITEM IS NOT A TOY. KEEP OUT OF REACH OF BABIES AND SMALL CHILDREN.**



## **WARNING: FIRE OR EXPLOSION HAZARD**

**If you smell gas:**

- 1. Shut off gas to the appliance.**
- 2. Extinguish any open flame.**
- 3. If odor continues, leave the area immediately.**
- 4. After leaving the area, call your gas supplier or fire department.**

**Failure to follow these instructions could result in fire or explosion, which could cause property damage, personal injury, or death.**



## **WARNING:**

**Do not store or use gasoline or other flammable liquids or vapors in the vicinity of this or any other appliance.**

**An LP-cylinder not connected for use shall not be stored in the vicinity of this or any other fire appliance.**



## **WARNING: USE PROPANE GAS ONLY.**

**For use with tanks marked PROPANE only.**

**DO NOT connect to a remote gas supply.**



## **WARNING: FOR OUTDOOR USE ONLY.**

**Installation and service must be performed by a qualified installer, service agency, or the gas supplier.**



## **WARNING:**

**If the information in this manual is not followed exactly, a fire or explosion may result causing property damage, personal injury, or loss of life.**



**DANGER**

## **CARBON MONOXIDE HAZARD**

**This appliance can produce carbon monoxide which has no odor.**

**Using it in an enclosed space may cause death.**

**Never use this appliance in an enclosed space such as camper, tent, car or home.**



## DANGERS AND WARNINGS

**⚠ WARNING:** When fire table is not in use — disconnect Propane Tank. If fire table is stored indoors —remove Propane Tank.

**⚠ WARNING:** This fire table must be attended at all times while in use!

Propane Tanks sold separately.



**WARNING:**

Read and follow all instructions and warnings in this Owner's Manual thoroughly before installing, operating, or servicing this fire table.

Improper installation, use, maintenance, adjustment or storage can cause fire or explosion, resulting in serious injury or property damage.

### **Prepare for use: Keep away from Combustible/Flammable Items •**

- Do not put any other fireplace cover or anything flammable on or beneath fire table.
- Combustible materials should never be within 1.83 m/6 ft of the top, 1.22 m/4 ft of back or sides of fire table.
- For use on noncombustible floor material only.
- Keep fire table area clear and free from combustible materials, gasoline, and other flammable vapors and liquids.

### **Inspect for leaks, wear and damage**

- Check for gas leaks before use - See page 8, Step #7 for instructions on how to check for gas leaks.
- Inspect burner and hose before use - Replace if there is evidence of excessive abrasion, wear, or damage.
- Inspect hose before each use. Hose assembly must be replaced prior to use if there is evidence of excessive abrasion or wear, or if hose is damaged. Use a manufacturer-specified replacement hose only.

### **Prepare area, ensure proper use of fire table cover**

- Make sure ventilation openings on sides of fire table(BODY) are open and clear of debris.
- If you have a nylon fire table cover, Do not lay cover over fire table for at least 4 hours after it is turned OFF and has completely cooled down.
- Do not use fire table if any part has been under water, Immediately call a qualified service technician to inspect fire table and to replace any part of the control system and any gas control that has been under water.
- Remove nylon fire table cover from fire table before operating.

### **When in use:**

#### **• Do's**

- Use propane cylinders with the following required measurements only: 30.5 cm/12 in (diameter) x 45.7 cm/18 in (tall) with capacity 9 kg/19.84 lbs.).
- If flame goes out while operating, turn gas valve OFF. Wait five minutes before attempting to relight.
- Due to high surface temperatures always keep a safe distance to avoid burning or clothes catching fire.
- Keep fuel supply hose away from any heated surfaces.

#### **Don't's**

- Never lean over the open fire table or place hands or fingers on the upper portion while in use.
- Do not use fire table for cooking.
- Do not burn any other materials other than what is supplied with and intended for use in fire table.
- Solid fuels shall not be burned in this fire table.
- Do not pour water into fire table.
- Do not move Fire Pit while in operation.
- Fire table should never be operated by children. Children must be supervised when they are anywhere near fire table.
- Do not rest feet on fire table.
- Do not use fire table on vehicles or boats. Always operate fire table on flat ground outdoors.

### **When not in use:**

- Remove battery from battery case when not using fire table for an extended length of time.
- Clean battery contacts and also those of the device prior to battery installation.

## DANGERS AND WARNINGS

### THIS PRODUCT USES PROPANE ONLY

- Use propane cylinders with the following required measurements only: 30.5 cm/12 in (diameter) x 45.7 cm/18 in (tall) with capacity 9 kg/19.84 lbs.)
- Max gas supply 28cm/11 in w.c. (2.74kpa)
- Only cylinder marked "propane" may be used.
- **If you see, smell or hear the hiss of escaping gas from the propane tank:**
  1. Turn off gas supply and get away from gas cylinder and fire table at once.
  2. Do not attempt to correct the problem yourself.
  3. Call your gas supplier and / or the fire department for help.
- A dented or rusty propane cylinder may be hazardous and should be cleared by your gas supplier prior to use.
- Do not attempt to disconnect gas regulator or any gas fitting while fire table is in operation.
- The gas pressure regulator provided with fire table must be used.
- Do not use a propane cylinder with a damaged valve and any other worn out parts.
- Transport and store empty propane cylinders carefully and properly.

**Children and adults should be alerted to the hazards of high surface temperatures and should stay away to avoid burns or clothes catching fire.**

- Young children should be carefully supervised when they are in the area of fire table.
- Clothing or other flammable materials should not be hung from fire table, or placed on or near fire table.

### Propane-gas supply cylinder to be used must be:

- Constructed and marked in accordance with the U.S. Department of transportation (NOT) Specifications for LP-Gas Cylinders, or the Standard for Cylinders, Spheres and Tubes for Transportation for Dangerous Goods and Commission, CAN/CSA-B339, as applicable;
- Provided with a listed overfilling prevention device; and with a cylinder connection device compatible with the connection for the appliance

### When storing fire table:

Storage of fire table indoors is permissible only if the cylinder is disconnected and removed from fire table.

Cylinders must be stored outdoors

in a well-ventilated area out of reach of children. Disconnected cylinders must have threaded valve plugs tightly installed and must not be stored in a building, garage or any other enclosed area.

Turn OFF control knob and close propane cylinder valve. Turn coupling nut counterclockwise by hand only—do not use

tools to disconnect. Loosen cylinder screw beneath bottom shelf, then lift propane cylinder up and out of shelf. Place dust cap on cylinder valve outlet whenever the cylinder is not in use.

**WARNING:** *Improper installation, adjustment, alteration, service or maintenance can cause injury or property damage. Refer to the owner's information manual provided with this appliance. For assistance or additional information consult a qualified installer, service agency or the gas supplier.*

The Propane-gas supply cylinder must be disconnected when this appliance is not in use.

Any guard or other protective device removed for servicing the appliance shall be replaced prior to operating the appliance.

Installation and repair should be done by a qualified service person. The appliance should be inspected before use and at least annually

by a qualified service person. More frequent cleaning may be required as necessary. It is imperative that the control compartment, burners, and circulating air passageways of the appliance are kept clean.

## PREPARATION FOR ASSEMBLY

Before beginning assembly of fire table, make sure all parts are present. Compare parts with package contents list. If any part is missing or damaged, do not attempt to assemble fire table.

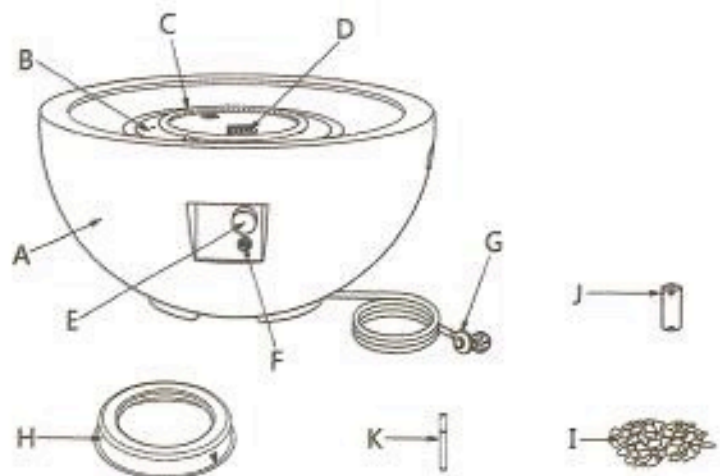
**Estimated Assembly Time: 10 minutes**

**NOTE:**

*You must follow all steps to properly assemble fire table.  
Make sure the gas valve is turned OFF before assembling.  
Do not attempt to assemble without proper tools.*

## PACKAGE CONTENTS AND COMPONENTS

PART	DESCRIPTION	QTY
A	Fire Pit Body	1
B	Fire Pan	1
C	Burner	1
D	Gas Screen	1
E	Control Knob	1
F	Electric Igniter	1
G	Regulator	1
H	Tank Holder	1
I	Lava Stone	3Boxes
J	Battery	1
K	Touch-Up Kit	1

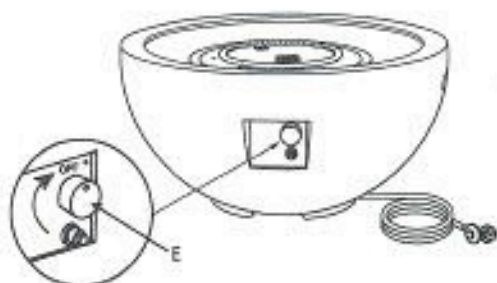


### **WARNING:**

Failure to position the parts in accordance with these diagrams or failure to use only with parts specifically approved with this appliance may result in property damage or personal injury.

# ASSEMBLY INSTRUCTIONS

1



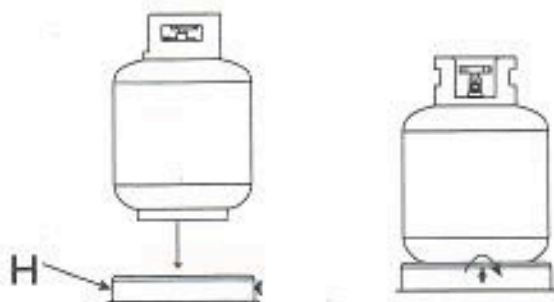
- 1 Make sure the gas supply system is turned to "OFF".

## **!** WARNING

This fire table requires air flow under the unit. Do not place on uneven surface or on grass, turf or carpet.

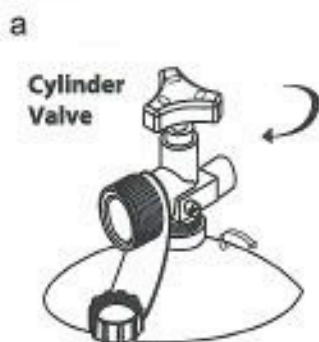
Questions? Please call us at (888)-334-3473 for assistance.

2



- 2 Place the propane tank in the tank holder (H) outside. Make sure the tank sits on the tank holder (H). Turn the wing screw on the outer part of tank holder (H) clockwise to secure the tank tightly.

3



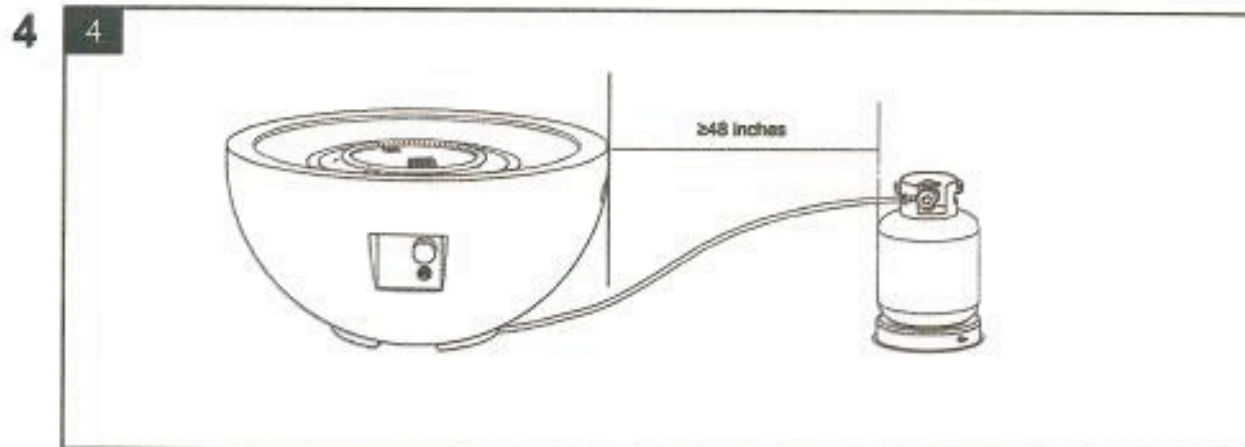
Cylinder Valve



Regulator Coupling

- 3 Turn the cylinder valve on the top of tank clockwise to close off the gas supply. See Figure a. Screw the regulator coupling clockwise by hand only. Make sure it is fastened. See Figure b.

## ASSEMBLY INSTRUCTIONS

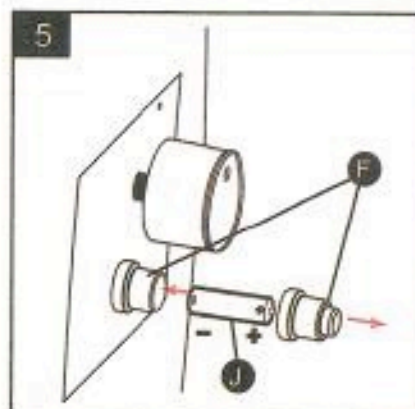


**4** The fire pit and the tank must be separated by a minimum distance of 48 inches or more. Pay attention to the tipping hazard!

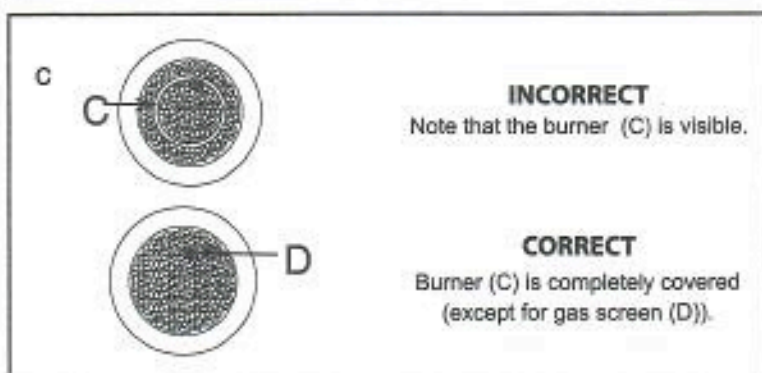
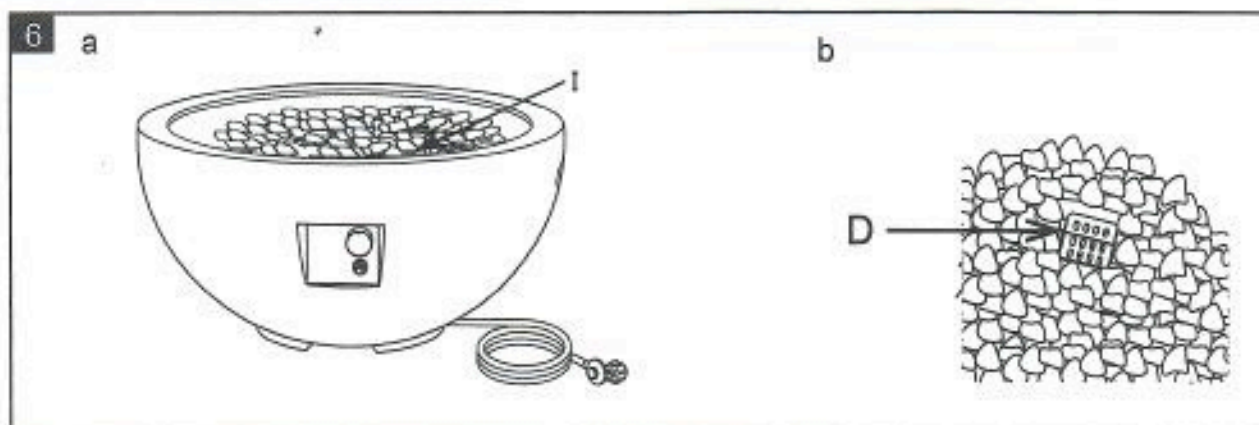
**5** To install Battery (J), unscrew the rubber cap of Electric Igniter (F) and place Battery (J) into the Battery Case. Make sure the positive pole ("+") faces out towards Cap. Screw Cap back to Battery Case tightly.

### Hardware Used

**J** AAA Battery  x 1



## ASSEMBLY INSTRUCTIONS



**⚠ WARNING**

Keep the lava stone and other objects off of the screen (shown at left). Holes in the screen must be exposed in order to allow gas to escape.

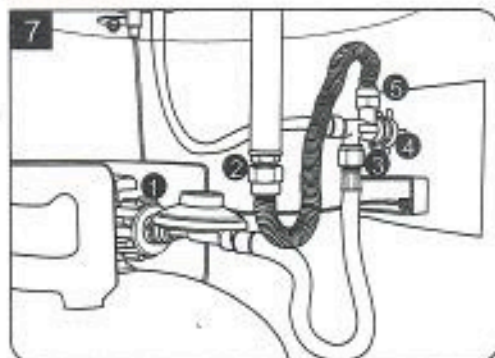
A blocked screen can cause gas to build inside the fire pit and ultimately cause an explosion and risk of serious injury.

- 6** Place the lava stone (I) evenly in the fire bowl. See Figure a. Do not place any lava stone over the gas screen (D). See Figure b. Completely cover the burner with the lava stone. See Figure c.

Failure to completely cover the burner with the lava stone will cause the flame to extinguish occasionally.

- 7** Before using fire table, check for gas leaks. Perform leak test in a well-ventilated area outside and where no source of spark can occur.
- After opening door for access, open Tank Valve fully (counter-clockwise).
  - Turn Control Knob to the OFF position.
  - Apply soapy water solution (3 drops dish detergent plus 4 oz. water) to check all connections for leaks before attempting to light fire table.
  - Coat soapy water onto all connections (shown in figure at right: 1, 2, 3, 4, 5). See Figure 8
  - Turn Control Knob to the ON position. If there are any leaks, soapy water will bubble where leak is occurring.

**If a leak is found, turn Tank Valve off and do not use fire table until repairs are made.**





## OPERATING INSTRUCTIONS

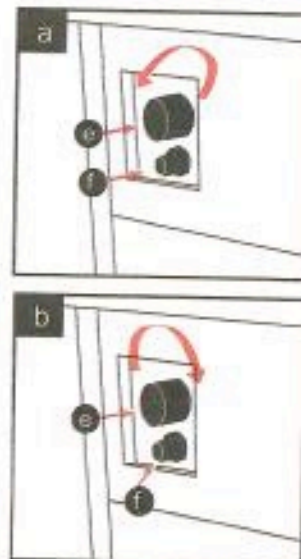
Before each use, open the door to inspect hose. Replace hose if there are any signs of cutting, wear or abrasion.

**Caution:** Only use pressure regulator and hose assembly supplied with fire table.

Replacement pressure regulator and hose assemblies must be specified or supplied by manufacturer.

### To Light

1. Turn Cylinder Valve on top of Propane Tank counterclockwise to open gas supply.
2. To ignite burner : See figure a
  - a) Press and turn the control knob(e) counter clockwise to "LOW".
  - b) At the same time, press the igniter button(f) repeatedly to light the burner.
  - c) Release the igniter button(f) once the burner is lit, but continue to press and push the control knob(e) for 15 seconds.



### WARNING! If ignition does NOT immediately occur

- Release Electric Igniter Button (f) and turn Control Knob to OFF (clockwise).
  - **WAIT 5 MINUTES** to clear out the gas!
  - Repeat lighting instructions in Step 2.
4. After ignition, release Electric Igniter Button (f).

Continue to push and hold the Control Knob for 45 seconds.

*Note:* Flame should be yellow/blue color.

### To Extinguish See figures b

1. Push and turn Control Knob clockwise to "OFF" position.
2. Turn cylinder valve on gas tank to close gas supply if not in use for a long time.

**WARNING:** Do not place lid or nylon fire table cover on top of fire table for at least 4 hours after use and until fire table has cooled.

## CARE AND MAINTENANCE

- Store the fire pit in a cool dry place away from direct sunlight.
- The propane tank must be disconnected and removed from the fire pit before the fire pit can be stored indoors.
- Make sure both the gas and the fire pit are turned off before changing the battery. Please refer to the process of installing the battery (Step 5).
- Use manufacturer approved or supplied replacement parts and accessories only. Use of unauthorized replacement parts may void the warranty.
- Please contact American Fire Glass INC at (888) 334-3473 for information on replacement hoses, igniter, lava stone or fire glass, and regulator.
- Keep fire table free and clear from combustible materials.
- Visually inspect burner ring for blockages (spider webs, dirt, etc.). Keep fire table and clear from debris.
- After burner ring and lava stone are completely cooled down, use a soft brush to get rid of mild stains, loose dirt and soil. Wipe with a soft cloth.

# TROUBLESHOOTING

No spark between electrode and burner port while pushing ignitor button.	No power in igniter	No battery or bad battery.	Replace battery(AAA).	
		Battery installed incorrectly.	Correctly install Battery.	
		Igniter broken or cracked	Call customer service for replacement part.	
	No spark to ignitor electrode.	Ignition wire loose or damaged.	Connect ignition wire correctly.	
Voltage drop or short in ignition wire or position of electrode is incorrect.		Reposition electrode near burner port. If defective call customer service for replacement part.		
No gas or low gas flow.	Gas not turned on at tank.		Turn on gas at cylinder.	
	Regulator is loose or disconnected at tank.	Regulator not connected properly at tank.	Check and re-connect the regulator at tank.	
	No or low gas in tank.		Re-Fill tank.	
	Excess flow safety valve has been activated.	Gas turned on at tank while system was still charged with gas.		Turn control knob to "OFF", turn off the valve at tank and disconnect regulator from tank. Turn control knob on fire table to "LOW", Wait for 30 seconds then turn knob to "OFF", Reconnect regulator to tank and resume proper operation.
		Obvious gas leak in system could cause excess flow safety valve to activate.		Check gas system for gas leaks, if yes, Call customer service.
Bends or kinks in hose.	Bends or kinks can cause low gas flow.		Un-bend and straighten hoses.	
Loss of flame at burner.	No or low gas tank.		See "No or Short of gas" above	
	High or gusting winds.	Flame blown out by high or gusting winds.	Remove the appliance to the place without high or gusting winds.	
	Loose connection at thermocouple.		Call the customer service for help	
	Ignition screen block by media.	Media fell inside screen area and blocked oxygen flow.		Open and cleaned area of media.
		Media blocking flame to thermocouple.		
	Ignition screen covered by media.	Ignition screen covered causes improper flame.		Clear media away from ignition screen per instruction on page 8.
Build up of carbon deposit inside ignition screen.	Carbon deposits occur due to restricted flame under ignition screen.		Open top of screen and clean carbon deposits.	

Manufactured for Rooms To Go

# Propane Tank Cover Use and Care Instructions

79731141

FP22971

Phoenix Round Tank Cover--White



## Safety information

Before you assemble or operate this unit, please carefully read this entire manual. Failure to do so may result in serious injury.

### WARNING

- Maximum weight capacity: This item can withstand an additional weight of 30 lbs.
- This item is intended for outdoor use only.
- Do not use near flammable or combustible objects.
- Storage of this item indoors is permissible only if the tank is disconnected and properly stored outdoors.
- Young children should be carefully supervised when in the vicinity of this item.
- Do not sit on this item.
- Always place this item on a hard, level non-combustible surface such as concrete, rock or stone.
- This item must be used ONLY outdoors in a well ventilated space and shall not be used inside a building, garage or any enclosed area.
- This item is designed for use with a 20 lbs. liquid propane gas (LP) tank (not included).
- This item is not to be installed or used in or on any recreational vehicle or boat.
- Do not attempt to transport this item with a gas tank installed.

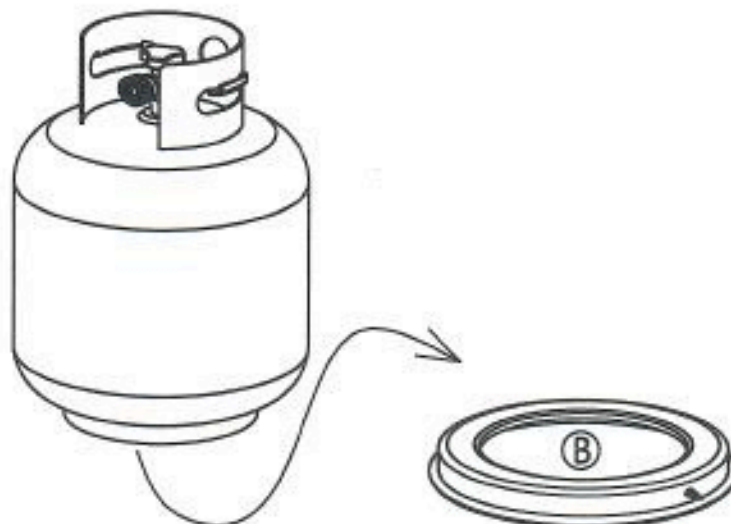
## PARTS LIST

ITEM	DESCRIPTION	QUANTITY
A	Tank Cover	1 pc
B	Metal Stand (wing screw and feet pre-assembled)	1 pc



# ASSEMBLY

## Step 1.



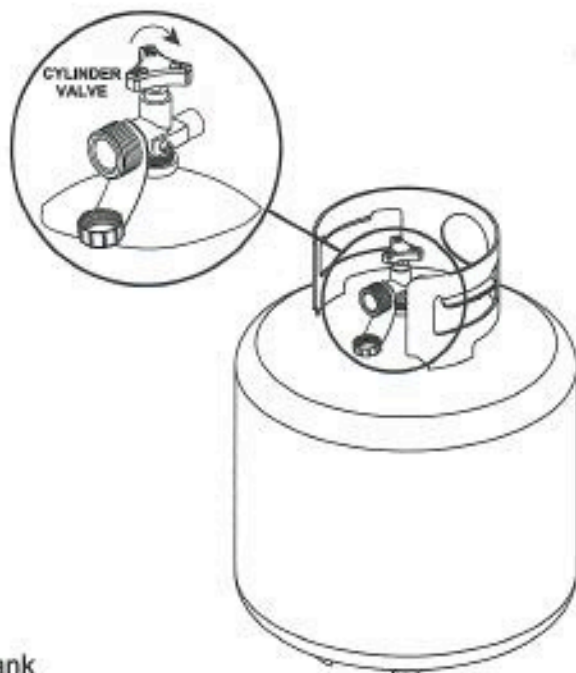
1. Place a 20 lb propane tank (not included) onto the metal stand (B).  
Make sure the gas tank is sitting securely on the metal stand (B).

## Step 2.



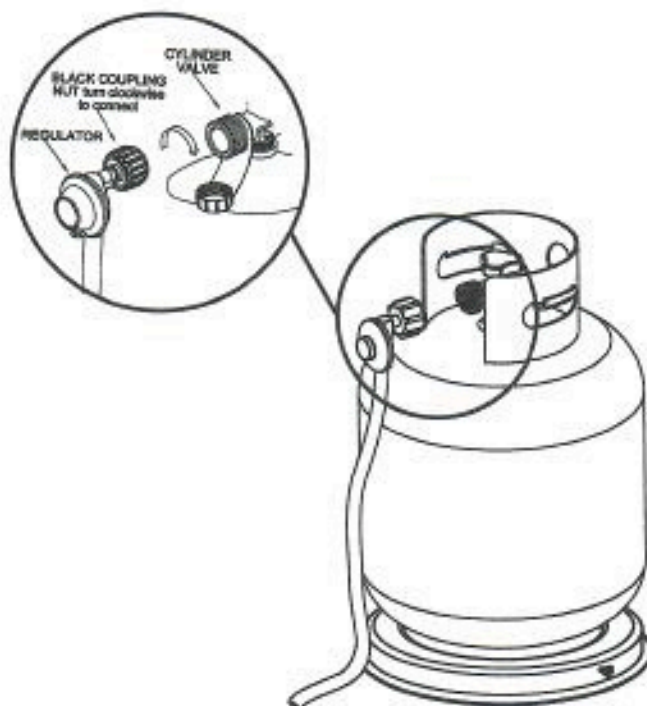
2. Turn the wing screw on the outer part of the metal stand (B) clockwise to secure the gas tank.

### Step 3.



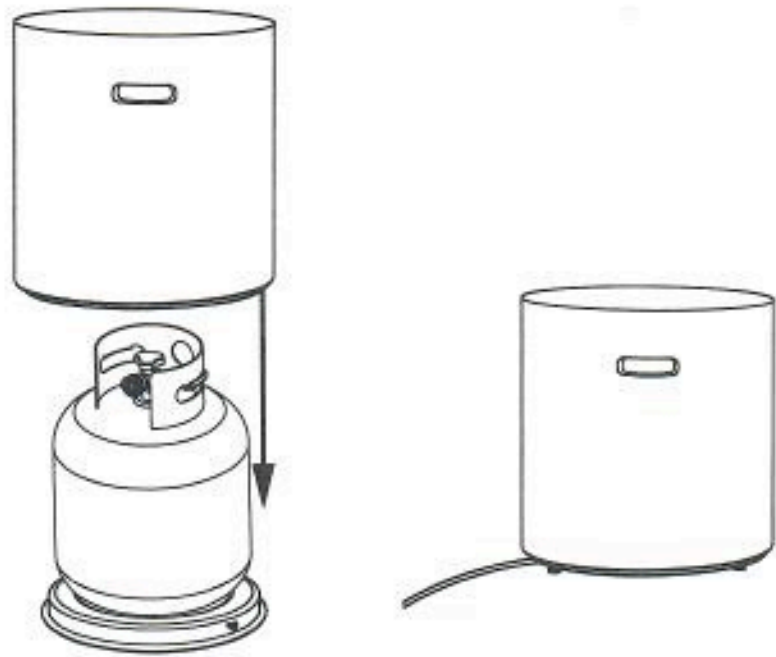
3. Turn the cylinder valve on the tank clockwise to close the propane tank.

### Step 4.



4. Attach the regulator (from your gas appliance) to the cylinder valve by turning the regulator coupling nut clockwise. Make sure it is fastened securely and tighten connections by hand only.

**Step 5.**



5. Place the tank cover (A) over the top of the propane tank and place onto the metal stand (B).



## Maintenance.

- Store the item in a cool dry place away from direct sunlight.
- The propane gas tank must be disconnected and removed from the item before this item may be stored indoors.
- Use manufacturer approved or supplied replacement parts and accessories only. Otherwise may void the warranty of this product and result in a hazardous condition.
- Keep the item free and clear from combustible materials.

## Warranty

**The manufacturer warranty will be voided by, and manufacturer disclaims any responsibility for, the following actions:**

- Modification of the unit and/or components.
- Use of any component part not manufactured or approved by Manufacturer.
- Use and installation other than what is listed in this manual.
- Please contact the manufacturer for replacement parts.

## Contact

If you have any questions or concerns, please contact Call toll free at 1-888-334-3473

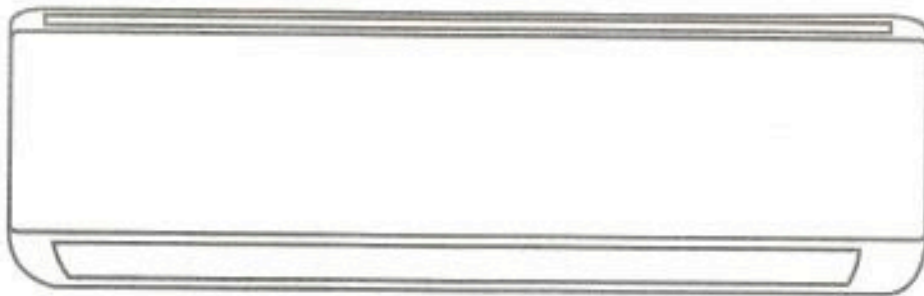
Duraflame® Fire Glass and Fire Pits  
Manufactured and Distributed by American Fire Glass®  
570 Third Street, Lake Elsinore, CA 92530  
[www.duraflamefireglass.com](http://www.duraflamefireglass.com)  
1.888.334.3473

DFP-INST-RTG2\_REVA\_0622

# ComfortStar®

## SPLIT TYPE AIR CONDITIONER

### Owner's Manual & Installation Manual



CPE12CA	CLA12CA	CSA12CA-R
CPE12CD	CLA12CD	CSA12CD-R
CPE18CD	CLA18CD	CSA18CD-R
CPE24CD	CLA24CD	CSA24CD-R
CPS12CA	CEP12CA	CIP09CA-HTJ
CPS12CD	CEP12CD	CIP09CD-HTJ
CPS18CD	CEP24CD	CIP12CA-HTJ
CPS24CD	CGH12CD	CIP12CD-HTJ
CSA12CA	CGH18CD	CIP18CD-HTJ
CSA09CD	CGH24CD	CIP24CD-HTJ
CSA12CD	CJE12FC	
CSA18CD	CJE18FC	
CSA24CD	CJE24FC	

This instruction manual contains important information and recommendations that we would ask you to comply with to obtain best results from air conditioner.

Thank you once again.

# Safety Precautions

## Read Safety Precautions Before Operation and Installation

**Incorrect installation due to ignoring instructions can cause serious damage or injury.** The seriousness of potential damage or injuries is classified as either a **WARNING** or **CAUTION**.



### WARNING

This symbol indicates the possibility of personnel injury or loss of life.



### CAUTION

This symbol indicates the possibility of property damage or serious consequences.



### WARNING

This appliance can be used by children aged from 8 years and above and persons with reduced physical, sensory or mental capabilities or lack of experience and knowledge if they have been given supervision or instruction concerning use of the appliance in a safe way and understand the hazards involved. Children shall not play with the appliance. Cleaning and user maintenance shall not be made by children without supervision(EN Standard requirements).

This appliance is not intended for use by persons(including children) with reduced physical, sensory or mental capabilities, or lack of experience and knowledge, unless they have been given supervision or instruction concerning use of the appliance by a person responsible for their safety. Children should be supervised to ensure that they do not play with the appliance(IEC Standard requirements).



### WARNINGS FOR PRODUCT USE

- If an abnormal situation arises (like a burning smell), immediately turn off the unit and disconnect the power. Call your dealer for instructions to avoid electric shock, fire or injury.
- **Do not** insert fingers, rods or other objects into the air inlet or outlet. This may cause injury, since the fan may be rotating at high speeds.
- **Do not** use flammable sprays such as hair spray, lacquer or paint near the unit. This may cause fire or combustion.
- **Do not** operate the air conditioner in places near or around combustible gases. Emitted gas may collect around the unit and cause explosion.
- **Do not** operate your air conditioner in a wet room such as a bathroom or laundry room. Too much exposure to water can cause electrical components to short circuit.
- **Do not** expose your body directly to cool air for a prolonged period of time.
- **Do not** allow children to play with the air conditioner. Children must be supervised around the unit at all times.
- If the air conditioner is used together with burners or other heating devices, thoroughly ventilate the room to avoid oxygen deficiency.
- In certain functional environments, such as kitchens, server rooms, etc., the use of specially designed air-conditioning units is highly recommended.

## CLEANING AND MAINTENANCE WARNINGS

- Turn off the device and disconnect the power before cleaning. Failure to do so can cause electrical shock.
- **Do not** clean the air conditioner with excessive amounts of water.
- **Do not** clean the air conditioner with combustible cleaning agents. Combustible cleaning agents can cause fire or deformation.

### CAUTION

- Turn off the air conditioner and disconnect the power if you are not going to use it for a long time.
- Turn off and unplug the unit during storms.
- Make sure that water condensation can drain unhindered from the unit.
- **Do not** operate the air conditioner with wet hands. This may cause electric shock.
- **Do not** use device for any other purpose than its intended use.
- **Do not** climb onto or place objects on top of the outdoor unit.
- **Do not** allow the air conditioner to operate for long periods of time with doors or windows open, or if the humidity is very high.

### ELECTRICAL WARNINGS

- Only use the specified power cord. If the power cord is damaged, it must be replaced by the manufacturer, its service agent or similarly qualified persons in order to avoid a hazard.
- Keep power plug clean. Remove any dust or grime that accumulates on or around the plug. Dirty plugs can cause fire or electric shock.
- **Do not** pull power cord to unplug unit. Hold the plug firmly and pull it from the outlet. Pulling directly on the cord can damage it, which can lead to fire or electric shock.
- **Do not** modify the length of the power supply cord or use an extension cord to power the unit.
- **Do not** share the electrical outlet with other appliances. Improper or insufficient power supply can cause fire or electrical shock.
- The product must be properly grounded at the time of installation, or electrical shock may occur.
- For all electrical work, follow all local and national wiring standards, regulations, and the Installation Manual. Connect cables tightly, and clamp them securely to prevent external forces from damaging the terminal. Improper electrical connections can overheat and cause fire, and may also cause shock. All electrical connections must be made according to the Electrical Connection Diagram located on the panels of the indoor and outdoor units.
- All wiring must be properly arranged to ensure that the control board cover can close properly. If the control board cover is not closed properly, it can lead to corrosion and cause the connection points on the terminal to heat up, catch fire, or cause electrical shock.
- If connecting power to fixed wiring, an all-pole disconnection device which has at least 3mm clearances in all poles, and have a leakage current that may exceed 10mA, the residual current device(RCD) having a rated residual operating current not exceeding 30mA, and disconnection must be incorporated in the fixed wiring in accordance with the wiring rules.

## TAKE NOTE OF FUSE SPECIFICATIONS

The air conditioner's circuit board (PCB) is designed with a fuse to provide overcurrent protection. The specifications of the fuse are printed on the circuit board, such as :

**Indoor unit:** T3.15A/250VAC, T5A/250VAC, T3.15A/250VAC, T5A/250VAC, etc.

**Outdoor unit:** T20A/250VAC( $\leq 18000$ Btu/h units), T30A/250VAC( $> 18000$ Btu/h units)

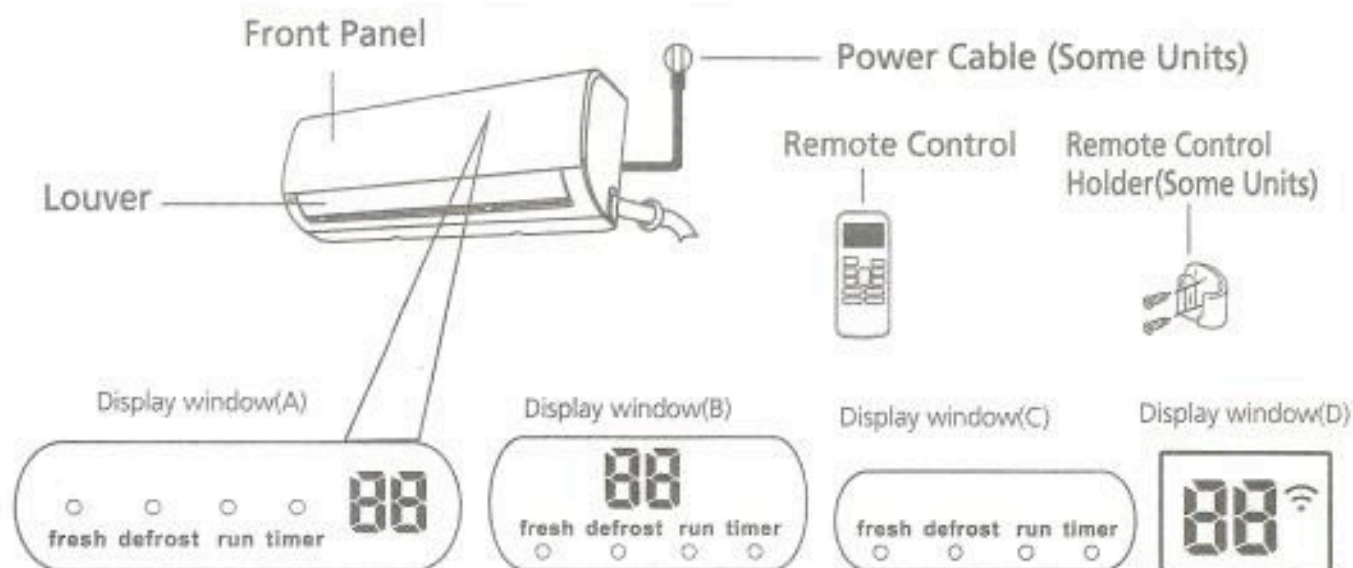
**NOTE:** For the units with R32 or R290 refrigerant, only the blast-proof ceramic fuse can be used.


# Unit Specifications and Features

## Indoor unit display

**NOTE:** Different models have different front panel and display window. Not all the indicators describing below are available for the air conditioner you purchased. Please check the indoor display window of the unit you purchased.

Illustrations in this manual are for explanatory purposes. The actual shape of your indoor unit may be slightly different. The actual shape shall prevail.



- "fresh" when Fresh feature is activated(some units)
- "defrost" when defrost feature is activated.
- "run" when the unit is on.
- "timer" when TIMER is set.
- " " when Wireless Control feature is activated(some units)

"**88**" Displays temperature, operation feature and Error codes:  
 When ECO function(some units) is activated, the '88' illuminates gradually one by one as  $\text{E} - \text{C}$   
 $\text{--} \text{0} \text{--}$  set temperature  $\text{--} \text{E} \text{.....}$  in one second interval.

"**0n**" for 3 seconds when:  
 • TIMER ON is set  
 • FRESH, SWING, TURBO, or SILENCE feature is turned on

"**0F**" for 3 seconds when:  
 • TIMER OFF is set  
 • FRESH, SWING, TURBO, or SILENCE feature is turned off

"**cF**" when anti-cold air feature is turned on

"**dF**" when defrosting

"**5C**" when unit is self-cleaning(some units)

"**FP**" when 8°C heating feature is turned on(some units)

### Display Code Meanings

## Operating temperature

When your air conditioner is used outside of the following temperature ranges, certain safety protection features may activate and cause the unit to disable.

### Inverter Split Type

	COOL mode	HEAT mode	DRY mode
Room Temperature	17°C - 32°C (62°F - 90°F)	0°C - 30°C (32°F - 86°F)	10°C - 32°C (50°F - 90°F)
Outdoor Temperature	0°C - 50°C (32°F - 122°F)	-15°C - 24°C (5°F - 75°F)	0°C - 50°C (32°F - 122°F)
	-15°C - 50°C (5°F - 122°F) (For models with low temp. cooling systems.)		
	0°C - 52°C (32°F - 126°F) (For special tropical models)	0°C - 52°C (32°F - 126°F) (For special tropical models)	

#### FOR OUTDOOR UNITS WITH AUXILIARY ELECTRIC HEATER

When outside temperature is below 0°C (32°F), we strongly recommend keeping the unit plugged in at all time to ensure smooth ongoing performance.

### Fixed-speed Type

	COOL mode	HEAT mode	DRY mode
Room Temperature	17°C-32°C (62°F-90°F)	0°C-30°C (32°F-86°F)	10°C-32°C (50°F-90°F)
Outdoor Temperature	18°C-43°C (64°F-109°F)	-7°C-24°C (19°F-75°F)	11°C-43°C (52°F-109°F)
	-7°C-43°C (19°F-109°F) (For models with low-temp cooling systems)		18°C-43°C (64°F-109°F)
	18°C-52°C (64°F-126°F) (For special tropical models)		18°C-52°C (64°F-126°F) (For special tropical models)

**NOTE:** Room relative humidity less than 80%. If the air conditioner operates in excess of this figure, the surface of the air conditioner may attract condensation. Please sets the vertical air flow louver to its maximum angle (vertically to the floor), and set HIGH fan mode.

#### To further optimize the performance of your unit, do the following:

- Keep doors and windows closed.
- Limit energy usage by using TIMER ON and TIMER OFF functions.
- Do not block air inlets or outlets.
- Regularly inspect and clean air filters.

# Care and Maintenance

## Cleaning Your Indoor Unit

### BEFORE CLEANING OR MAINTENANCE

**ALWAYS TURN OFF YOUR AIR CONDITIONER SYSTEM AND DISCONNECT ITS POWER SUPPLY BEFORE CLEANING OR MAINTENANCE.**

### CAUTION

Only use a soft, dry cloth to wipe the unit clean. If the unit is especially dirty, you can use a cloth soaked in warm water to wipe it clean.

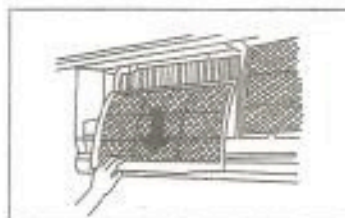
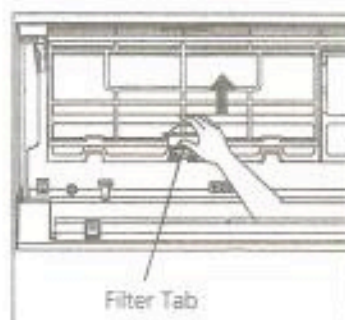
- **Do not** use chemicals or chemically treated cloths to clean the unit
- **Do not** use benzene, paint thinner, polishing powder or other solvents to clean the unit. They can cause the plastic surface to crack or deform.
- **Do not** use water hotter than 40°C (104°F) to clean the front panel. This can cause the panel to deform or become discolored.

## Cleaning Your Air Filter

A clogged air conditioner can reduce the cooling efficiency of your unit, and can also be bad for your health. Make sure to clean the filter once every two weeks.

1. Lift the front panel of the indoor unit.
2. First press the tab on the end of filter to loosen the buckle, lift it up, then pull it towards yourself.
3. Now pull the filter out.
4. If your filter has a small air freshening filter, unclip it from the larger filter. Clean this air freshening filter with a hand-held vacuum.
5. Clean the large air filter with warm, soapy water. Be sure to use a mild detergent.

6. Rinse the filter with fresh water, then shake off excess water.
7. Dry it in a cool, dry place, and refrain from exposing it to direct sunlight.
8. When dry, re-clip the air freshening filter to the larger filter, then slide it back into the indoor unit.
9. Close the front panel of the indoor unit.



### CAUTION

Do not touch air freshening (Plasma) filter for at least 10 minutes after turning off the unit.

## Operating temperature

When your air conditioner is used outside of the following temperature ranges, certain safety protection features may activate and cause the unit to disable.

### Inverter Split Type

	COOL mode	HEAT mode	DRY mode
Room Temperature	17°C - 32°C (62°F - 90°F)	0°C - 30°C (32°F - 86°F)	10°C - 32°C (50°F - 90°F)
Outdoor Temperature	0°C - 50°C (32°F - 122°F)	-15°C - 24°C (5°F - 75°F)	0°C - 50°C (32°F - 122°F)
	-15°C - 50°C (5°F - 122°F) <small>(For models with low temp. cooling systems.)</small>		
	0°C - 52°C (32°F - 126°F) <small>(For special tropical models)</small>		
			0°C - 52°C (32°F - 126°F) <small>(For special tropical models)</small>

#### FOR OUTDOOR UNITS WITH AUXILIARY ELECTRIC HEATER

When outside temperature is below 0°C (32°F), we strongly recommend keeping the unit plugged in at all time to ensure smooth ongoing performance.

### Fixed-speed Type

	COOL mode	HEAT mode	DRY mode
Room Temperature	17°C-32°C (62°F-90°F)	0°C-30°C (32°F-86°F)	10°C-32°C (50°F-90°F)
Outdoor Temperature	18°C-43°C (64°F-109°F)	-7°C-24°C (19°F-75°F)	11°C-43°C (52°F-109°F)
	-7°C-43°C (19°F-109°F) <small>(For models with low-temp cooling systems)</small>		18°C-43°C (64°F-109°F)
	18°C-52°C (64°F-126°F) <small>(For special tropical models)</small>		18°C-52°C (64°F-126°F) <small>(For special tropical models)</small>

**NOTE:** Room relative humidity less than 80%. If the air conditioner operates in excess of this figure, the surface of the air conditioner may attract condensation. Please sets the vertical air flow louver to its maximum angle (vertically to the floor), and set HIGH fan mode.

#### To further optimize the performance of your unit, do the following:

- Keep doors and windows closed.
- Limit energy usage by using TIMER ON and TIMER OFF functions.
- Do not block air inlets or outlets.
- Regularly inspect and clean air filters.



## • Setting Angle of Air Flow

### Setting vertical angle of air flow

While the unit is on, use the **SWING/DIRECT** button on remote control to set the direction (vertical angle) of airflow. Please refer to the Remote Control Manual for details.

### NOTE ON LOUVER ANGLES

When using COOL or DRY mode, do not set louver at too vertical an angle for long periods of time. This can cause water to condense on the louver blade, which will drop on your floor or furnishings.

When using COOL or HEAT mode, setting the louver at too vertical an angle can reduce the performance of the unit due to restricted air flow.

### Setting horizontal angle of air flow

The horizontal angle of the airflow must be set manually. Grip the deflector rod (See Fig.B) and manually adjust it to your preferred direction.

**For some units**, the horizontal angle of the airflow can be set by remote control. please refer to the Remote Control Manual.

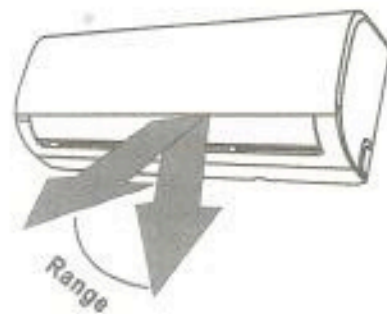
### Manual Operation(without remote)

#### ! CAUTION

The manual button is intended for testing purposes and emergency operation only. Please do not use this function unless the remote control is lost and it is absolutely necessary. To restore regular operation, use the remote control to activate the unit. Unit must be turned off before manual operation.

To operate your unit manually:

1. Open the front panel of the indoor unit.
2. Locate the **MANUAL CONTROL button** on the right-hand side of the unit.
3. Press the **MANUAL CONTROL button** one time to activate FORCED AUTO mode.
4. Press the **MANUAL CONTROL button** again to activate FORCED COOLING mode.
5. Press the **MANUAL CONTROL button** a third time to turn the unit off.
6. Close the front panel.



**NOTE:** Do not move louver by hand. This will cause the louver to become out of sync. If this occurs, turn off the unit and unplug it for a few seconds, then restart the unit. This will reset the louver.

Fig. A

#### ! CAUTION

Do not put your fingers in or near the blower and suction side of the unit. The high-speed fan inside the unit may cause injury.

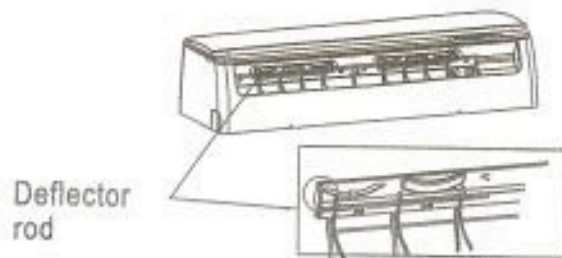


Fig. B

